



www.copyQuality.com

KIP 720
CIS SCANNING SYSTEM
WITH ADVANCED KIP REAL TIME
THRESHOLDING TECHNOLOGY



KIP 720 SCANNING SYSTEM

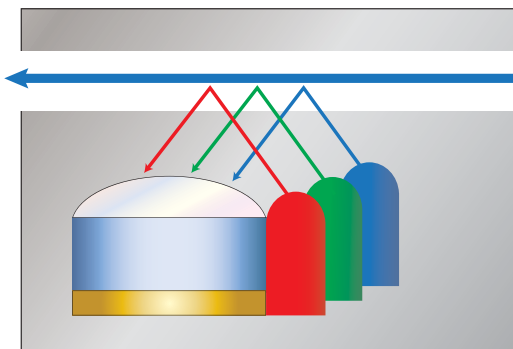
KIP 720 Image Scanner

The KIP 720 color & monochrome scanner delivers large-format scanning and copying functionality with world-class scanning speeds and unbeatable image accuracy.

The KIP 720 large format scanner is a 24-bit, 36" wide full-color image capture system perfect for processing photographs, complex maps, and AEC/CAD drawings.

Benefits of CIS Scanning Technology Sharp Image Scanning

The KIP 720 CIS (Contact Image Sensor) technology scanning method enables high resolution, high speed image capture with energy saving operation in a light, compact and portable design.



CIS technology features a series of Red, Green and Blue lights that illuminate in turn to capture image data related to each color.

Key Features

- 36" Wide
- Face-up document scanning
- True 600x600 dpi optical resolution
- CIS scanning technology provides high definition scans
- Real Time Thresholding Technology (RTT)
- No folded optics—No warm-up time
- 0.1% scanning accuracy
- High resolution, high speed user-friendly operation with smart energy usage for maximum environmental conscientiousness
- High Definition scanning that advances graphical image capture possibilities

Advanced RTT Technology



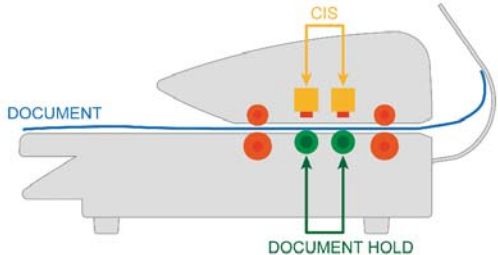
KIP's Real Time Thresholding technology automatically optimizes background levels for each original, creating smooth reproductions of halftone gradients. KIP RTT technology automatically adjusts the threshold levels on a standard "D" size document over half a million times per scan!





Full Color Workflow Integration

The KIP 720 stand alone scanner system provides accurate, professional results based on true 600 dpi optical resolution and 24-bit color imaging technology. Scan full color technical documents, maps, posters and photos into a variety of file formats for E-mail, archive and print purposes.



A specialized support system under the document enhances feed reliability.

Productive:

- High-speed, high-resolution CIS document image capture
- 4.5 seconds monochrome 'D' Size
- 14 seconds color 'D' Size

Quality:

- High-resolution, 600dpi scanning
- 24-Bit color depth

Responsive:

- Ready in less than 10 seconds

Earth Concious:

- Compact & Lightweight
- Compatible with Energy Star program & RoHS
- Scans recycled medias

KIP COLOR PRO & ADVANCED



KIP Color Advanced

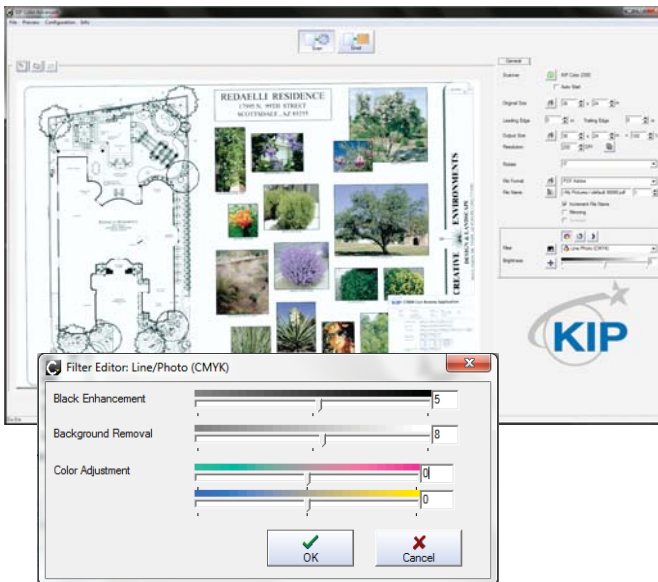
KIP Color Advanced is a versatile color scan, copy and image distribution application designed to meet the everyday demands of advanced operators when used from either the KIP Touchscreen or a PC workstation.

- Integrates with single or multiple printers
- Advanced color controls & copy count
- Supports a full range of color file formats
- Scan to Email, USB drives, mailboxes or Network
- Quality presets for various original types

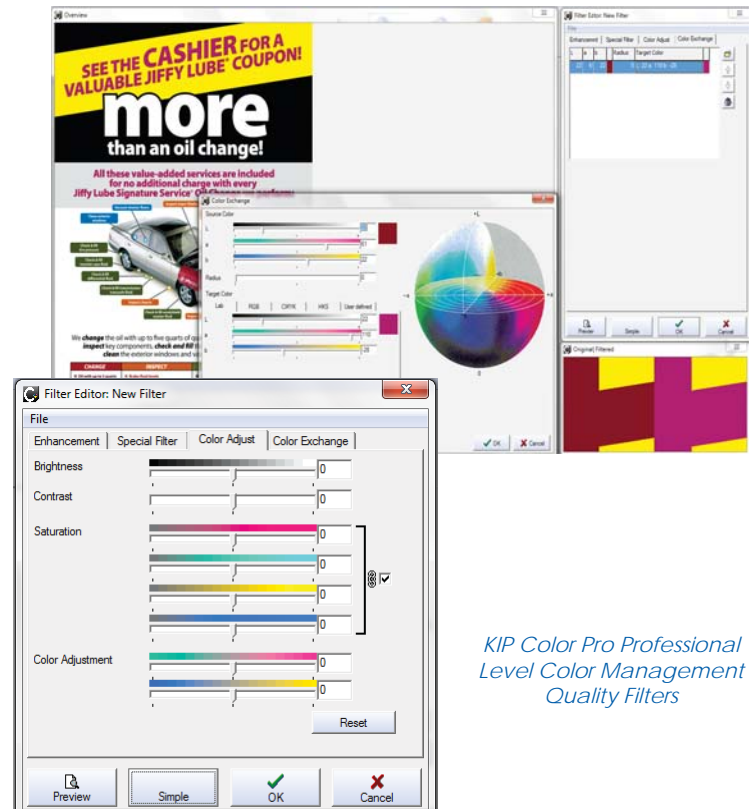
KIP Color Pro

KIP Color Pro software provides all the features of KIP Color Advanced, plus file to print, professional ICC color management, image editing capabilities, paneling of images for outdoor graphics, nesting of images for optimum media usage and much more.

- Supports a full range of color file formats
- Create, edit & save image quality filters
- Integrates with single or multiple printers
- Accurate color from closed-loop calibration
- Professional grade image enhancement options
- Scan to email, USB drives, mailboxes or network



KIP Color Advanced Quality Filters



KIP Color Pro Professional Level Color Management Quality Filters



Copy, Print & Scan



Professional Image Editor



Copy & Print Paneling

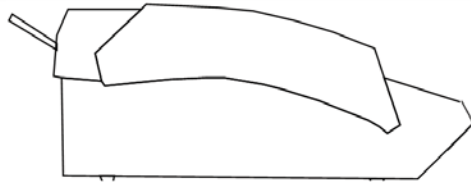
KIP Color Software Features	Pro	Adv
Single and Collated Sets Copying	•	•
Mixed B&W and Color Imaging	•	•
Scale by Factor, Page Size, Auto	•	•
Image Preview	•	•
Auto Image Deskew	•	•
Auto Start for Fast Document Feeding	•	•
Copy to all KIP printers	•	•
Concurrent Copy and Print	•	•
Scan to File & Copy in Parallel	•	•
KIP Cost Review Application Integration	•	•
KIP Track System	•	•
Scan Features		
Auto Detect Original Size	•	•
Scan Area of Interest / Scan to Specific Size	•	•
Wide Variety of Formats	•	•
Scan to Email (Full Image or Area of Interest)	•	•
Mono / Grayscale / Color Scanning	•	•
Scan to Multipage PDF and TIFF	•	•
Supports PDF Security Protocols	•	•
Scan Image Compression (Variable)	•	•
Graphics Viewer/Editor for Despeckle/Deskew	•	•
Auto Increment of File Name	•	•
File to Print Features		
Print Single or Multiple Files to KIP or Inkjet	•	•
Paneling	•	•
KIP Printer Grayscale Optimization	•	•
Expert Print Mode with Editable Filters	•	•
Save Color Management Profiles	•	•
Spot Color Exchange	•	•
Nesting (Step and Repeat)	•	•
On Screen Softproof Capability	•	•
Copy Features		
Color Adjustment	•	•
Paneling	•	•
Roll Preview	•	•
Gamut Warning and On Screen Softproof	•	•

KIP Color Software Features	Pro	Adv
Copy Features		
Multicopy Nesting	•	•
Set Black and White Point at Start of Set	•	•
Media Calibration Wizard	•	•
Job Editor to Mix Copy, Scan and File Images	•	•
Reprint	•	•
Nesting (Step and Repeat)	•	•
Printer/Scanner Closed Loop Calibration	•	•
Unlimited Presets/Templates	•	•
Professional Copy Filter Editor		
Adjust Scan/Copy Resolution	•	•
Adaptive Black Point By Auto or User Selection	•	•
Adaptive White Point By Auto or User Selection	•	•
Black Enhancement	•	•
Background Removal	•	•
Unlimited KIP Printer Drivers	•	•
Included Inkjet Driver	2	1
Additional Inkjet Drivers	Optional	
Image Quality Adjustments		
Color Adjustment		•
Grayscale Adjustment	•	•
Background Processing	•	•
Import ICC Color Profiles	•	•
Scan at Faster Speeds at Lower dpi	•	•
Control Scanner Speed Independent of dpi	•	•
Unlimited Presets/Templates	•	•
Professional Scan Filter Editor and Preview	•	•
Adaptive Black Point By Auto or User Selection	•	•
Adaptive White Point By Auto or User Selection	•	•
Scan B&W Images Using Color Data	•	•
Twain Support	•	•
Graphics Editor and Preview	•	•
Despeckle and Hole Fill	•	•

• = New/Enhanced available in latest version

KIP 720 SPACE REQUIREMENTS

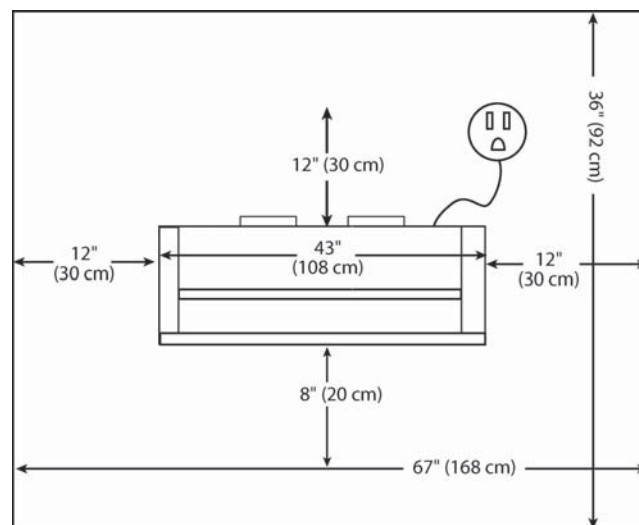
KIP 720 Scanning System Space Requirements



KIP 720 Side View



KIP 720 Front View



KIP 720 Top View

KIP 720 SPECIFICATIONS



General Specifications

Scanner Type	C.I.S. with KIP RTT Technology
Scan Resolution	600 x 600 dpi optical resolution
Scan Speed	Up to 8 ips / 203 mm per second (B&W) Up to 2.6 ips / 66 mm per second (Color)
Scan Format	TIFF, Multipage TIFF, PDF, PDF-A, Multipage PDF, DWF, Multipage DWF, JPEG, CALS
Scan Destination	Local USB (Removable Media), Unlimited IPS Mailboxes (Local), Unlimited FTP, Unlimited SMB
Original Size Width	11" - 36" / 279 - 914 mm
Original Thickness	Up to 1.6 mm thick
Interface	USB 2.0
Dimensions	43" x 16" x 6.7" / 1,092 mm x 406 mm x 170 mm
Weight	53lbs / 25 Kg
Electrical	100-240 V AC 50/60 Hz
Power Consumption	<50 W
Minimum PC Requirements (NOT INCLUDED WITH SCANNER)	<p>Quad Core Processor (such as an Intel i5 or higher)</p> <p>Windows XP / 7 / 8 (32 or 64 bit version)</p> <p>8GB RAM with 64 bit or 3GB RAM 32 bit</p> <p>1 TB Hard Drive</p> <p>1 Gig RJ45 LAN Port</p> <p>DVD/CD Optical Drive</p> <p>One USB 2.0 Port for KIP Color Advanced / Pro (scanner connection)</p> <p>One PCI-E Port (for use with the KIP Tru•Speed Card (HIL) for KIP 2300)</p> <p>One USB 2.0 Port for KIP RIP (product code connection)</p> <p>20" Flat panel monitor (with VESA - 75 or 100 mount patterns for use with a KIP scanner stand)</p> <p>USB keyboard and mouse</p>



www.copyquality.com

9525 Harford Road
Baltimore, MD 21234
410-337-3700

info@copyquality.com

KIP is a registered trademark of the KIP Group. All other product names mentioned herein are trademarks of their respective companies. All product features and specifications are subject to change without notice. Complete product specifications are available upon request. © 2012

